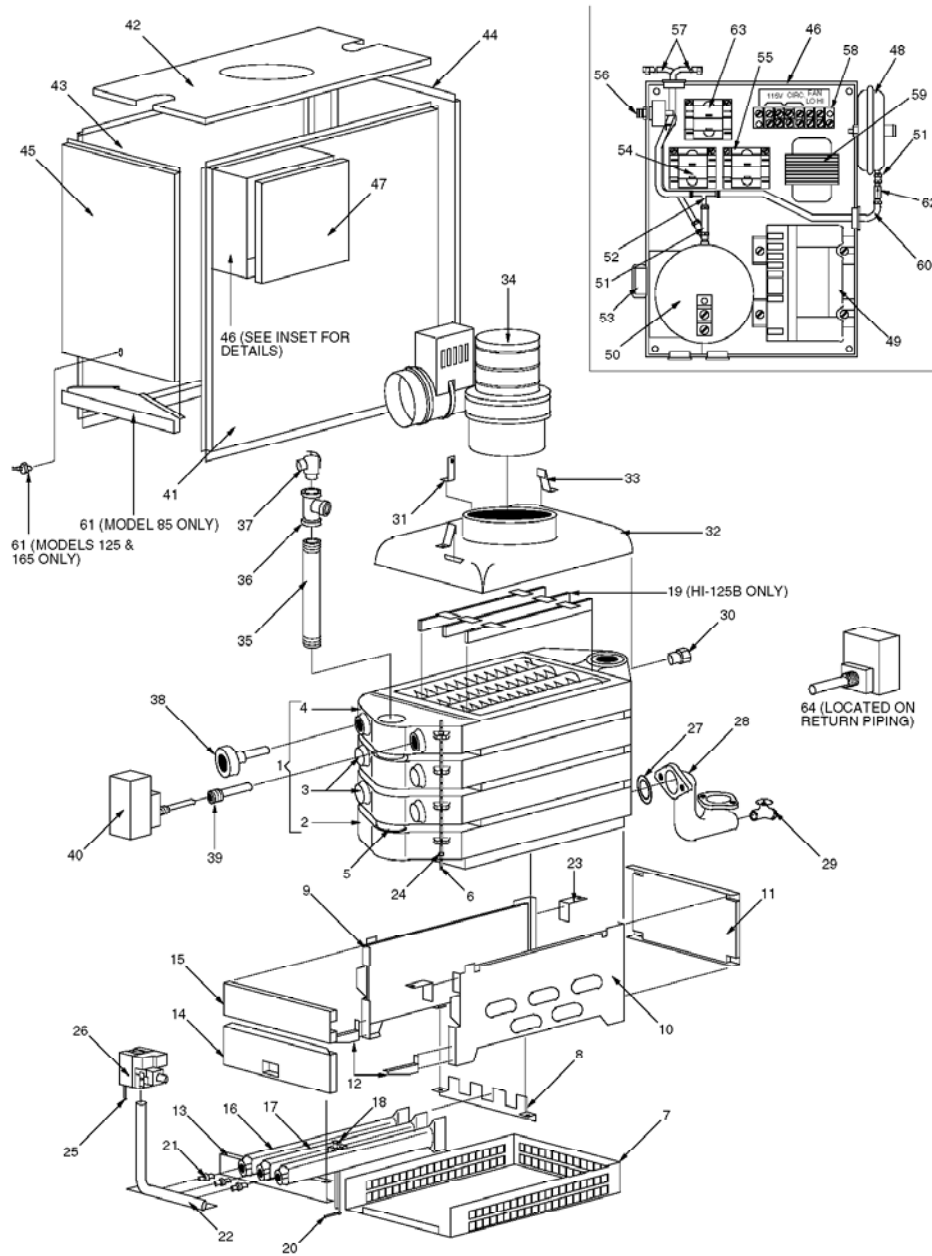


HI-B (DISCONTINUED)/ID-A



HI-B (DISCONTINUED)/ID-A SERIES REPLACEMENT PARTS