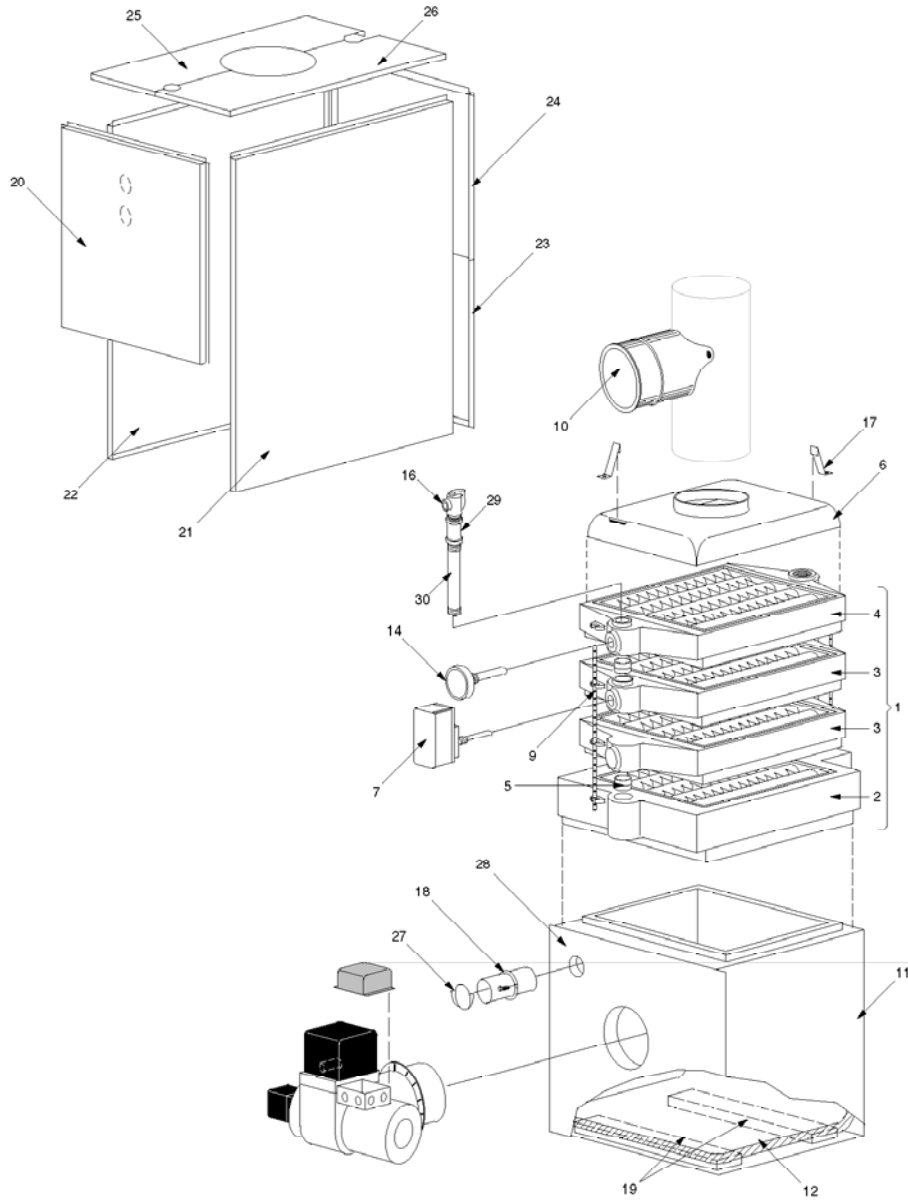


OR



OR SERIES REPLACEMENT PARTS

Ref #	Name of Part	Part No.	Boiler Model							List Price
			OR-105	OR-140	OR-175	OR-210	OR-280	OR-330	OR-385	
1	Absorption Unit	BM-3108	1	1						\$ 977.00
	Absorption Unit	BM-3109			1	1				1,252.00
	Absorption Unit	BM-3110					1	1		1,527.00
	Absorption Unit	BM-3111							1	1,802.00
2	Section, Base	BM-9687	1	1	1	1	1	1		427.00
	Section, Base	BM-9688							1	427.00
3	Section, Middle	BM-9689			1	1	2	2	3	275.00
	Section, Middle (1/2 Tap)	BM-9690			1	1	1	1	1	275.00
	Section Middle	BM-9694	1	1						275.00
4	Section, Top	BM-9691			1	1			1	275.00
	Section, Top	BM-9692	1	1			1	1		275.00
5	Push Nipple	53-1373	2	2	3	3	4	4	5	6.00
7	Hi-Limit Aquastat (L4006A) w/Well	BM-4897	1	1	1	1	1	1	1	95.00
	Dual Aquastat (L4081B)	02-2602	1	1	1	1	1	1	1	95.00