



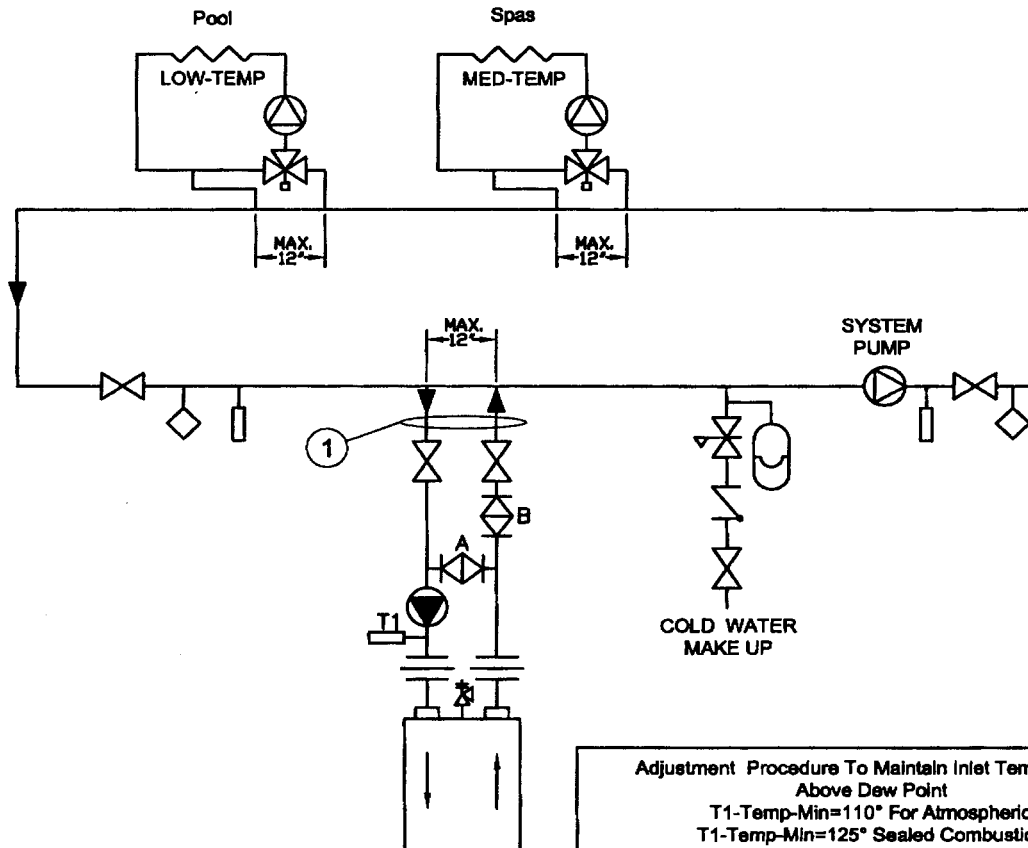
260 North Elm Street - Westfield, MA 01089
413.568.9571 fax 413.568.9613

POOL & SPAS HEATER PRIMARY/SECONDARY/TERTIARY ZONES MULTI-TEMPERATURE

Drawing Number 99-0006

- Pump
- Gate Valve
- Globe Valve
- Angle Valve
- Butterfly Valve
- Balance Valve
- Ball Valve
- Motorized Valve
- Solenoid Operated Valve
- Self-Operated Valve
- Pressure Reducing Valve
- Check Valve
- Pressure Relief Valve
- Flow Switch
- Thermometer
- Aquestat Union
- Pressure Switch
- Gas Pressure Regulator
- Automatic Air Vent

Boiler connection Pipe Sizing and Heat Exchanger Configuration		
Heater Model	Pipe size NPS	Configurations
Spectrum 100-400	1 1/2"	Two Pass
8900 420-1900	2 1/2"	Two Pass
8800 2000-4000	3"	Two Pass
Dominator 300-2100	2 1/2"	Two Pass
LCD 225-400	1 1/2"	Two Pass
LCD 600-2300	2 1/2"	Two Pass
Futera 500-1000	2"	Four Pass
Futera 1250-1850	2 1/2"	Four Pass



NOTES:

1. Boiler circuit piping must be sized large enough to handle maximum flow through unit.
2. Boiler Pump sized to boiler design flow requirements.
3. All boilers furnished with factory mounted outlet water temperature gauge.
4. Boiler Pump purging required. Use terminals supplied.
5. Check with applicable codes for compliance.

Adjustment Procedure To Maintain Inlet Temperature Above Dew Point
 T1-Temp-Min=110° For Atmospheric
 T1-Temp-Min=125° Sealed Combustion

1. Turn heater on and open valves A & B.
2. After steady-state operation, if T1 is less than Temp-Min slowly close valve B until T1 climbs to desired operating temperature above Temp-Min.
3. If T1 is greater than desired operating temperature, slowly close valve A to adjust to lower desired temperature above Temp-Min.
4. Check after system operating temperature has stabilized. Make final adjustments.
5. Follow same adjustment procedure for sealed combustion.

Drawing modified for Ron Weiss at PM Equipment, based on H-11