



Domestic Hot Water Heaters and Boilers





INDOOR/OUTDOOR, HOT WATER HEATERS AND HYDRONIC HEATING BOILERS

The LCD Dominator™ Series from RBI offers competitively-priced indoor/outdoor units that meet low NOx requirements, while maintaining superior performance and serviceability. The LCD provides dependable performance in rugged environments and process applications, with a wide 225 – 2300 MBH range. At the heart of the unit is a sealed combustion chamber that provides the flexibility of using outside air or mechanical room air for combustion. Priced in line with the atmospheric category heaters, the LCD features smaller vent sizes, resulting in a lower total installation cost.

STANDARD EQUIPMENT

- Finned copper tube heat exchanger, ASME 160# max WP, 2 pass
- Mounted & wired flow switch
- CSD-1 and FM Compliant Gas Train
- Sealed combustion chamber
- Mounted ASME relief valve (50# Boilers, 125# Water Heaters)
- Pump delay control
- Factory fired tested

DEPENDABLE, EFFICIENT PERFORMANCE

- 82% efficient
- Low NOx
- Uginox alloy stainless steel burners
- Bronze headers – water heaters
- Cast iron headers – boilers
- On/Off, all sizes 2-stage, 600-2300
- Cat I Venting (Vertical)
- Cat III thru-wall (up to 35' equivalent ft.)

EASY TO INSTALL AND SERVICE

- Slide-out heat exchanger
- Side intake, all sizes
- Rear intake, sizes 750-2300
- Stackable frame with seismic approval (up to zone 4)
- Field reversible headers
- Horizontal/vertical venting options
- Power vent option for thru-wall venting
- Low voltage controls
- Direct vent up to 35' equivalent

OPTIONAL FEATURES

- Cupro-nickel heat exchanger
- Outdoor Installation
- Stainless Steel Jacket
- Barometric Damper
- Freeze Protection Package



LCD Dominator Series boilers and water heaters are also available with appealing, corrosion-resistant, brushed stainless steel jacket. Ideal for outdoor or indoor installation in corrosive or harsh environments such as coastal areas and processing applications requiring wash down.



RBI products are the easiest to service and maintain.

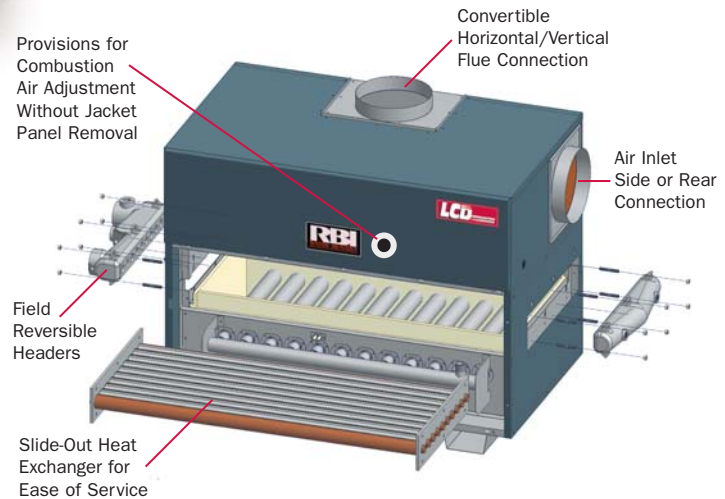
Outdoor Approved

Unlike traditional atmospheric outdoor units, the fan-assisted combustion design of the LCD provides reliable operation. Outdoor concerns associated with pilot outages and poor combustion are eliminated with the LCD's proven pilot ignition and fan-assisted combustion systems.

The LCD Dominator is also available with corrosion-resistant, brushed stainless steel jacket, making it the ideal choice for harsh outdoor environments and process applications.

Proven Pilot Ignition System

The unique pilot ignition is safer and more reliable than the hot surface systems commonly used on other manufacturers' equipment. The system employs a burner tube as a pilot. Gas is injected into a single burner and ignited by spark. A flame rod then monitors the pilot tube flame. Once the pilot is proven, the main gas valves are powered and the remaining burner tubes are safely lit. This proven system offers greater dependability and is superior to fragile HSI systems that can require frequent replacement. The Honeywell RM7890 Flame Safeguard control is also available if required by code.



Smart Service Design

Ease of installation and service are trademarks of all RBI water heaters and boilers. Critical components are fully accessible for faster, easier service and maintenance calls. The LCD's sealed combustion chamber features a slide-out heat exchanger for less time-consuming service and repair. At just 29.5" wide, the LCD fits easily through standard doorways.



Critical components are located conveniently at the top of the boiler for easy access.

Rack and Stack

The LCD offers greater flexibility and ease of installation in a space-saving design that leaves more elbowroom in the mechanical room. A rugged frame and stackable design allow for the installation of two units in one small footprint.

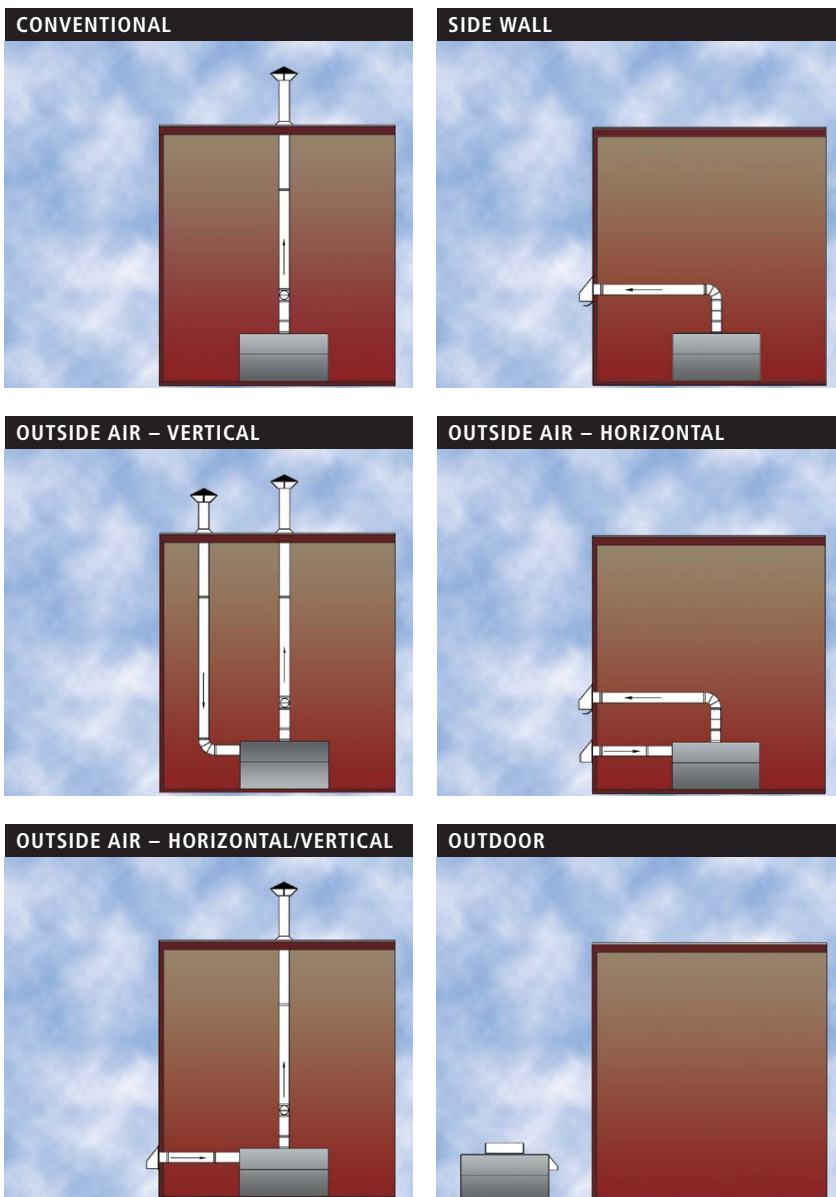
Wide Variety of Venting Options

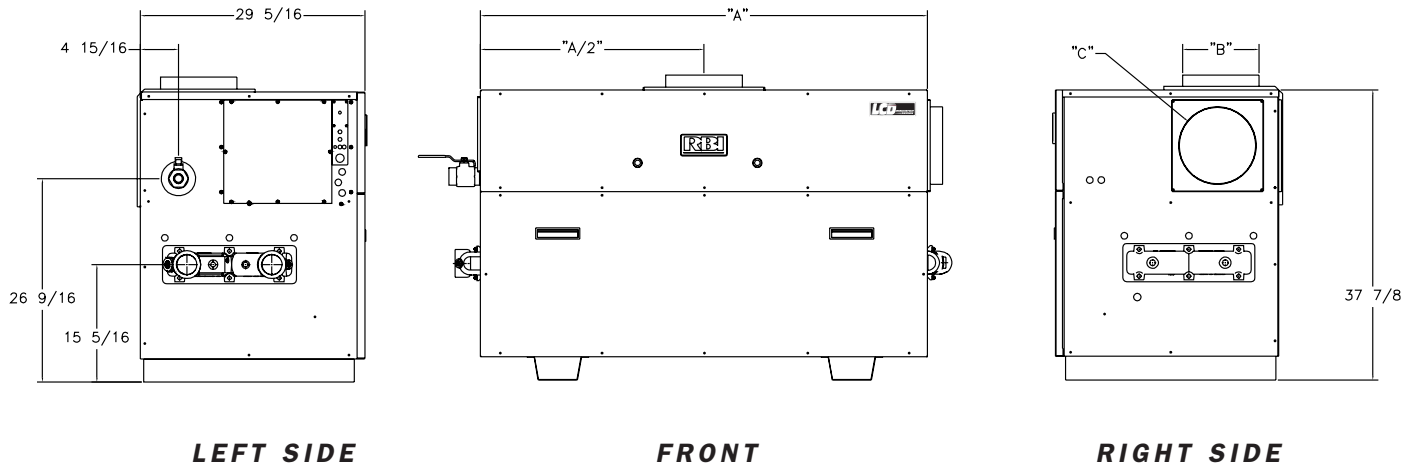
The LCD provides added flexibility and ease of installation with multiple venting options and configurations. The sealed combustion chamber minimizes heat loss and requires less clearance from combustibles walls.



Quality Construction

The LCD features a robust, compact design using the best materials for more dependable performance. Quality components include stainless steel burner tubes and solid bronze headers on water heaters. The LCD's design requires fewer blowers and gas valves to achieved staged firing. Fewer components mean reduced complexity and easier serviceability.





NOTE:
Dimensions are approximate and should not be used to "rough-in" equipment.

DIMENSIONS & RATINGS															
Model	Input		Output		Net I=B=R Rating		Dim A		Flue Vent Dim B		Connections			Ducted Air Dim C	
	MBH	kW	MBH	kW	MBH	kW	In.	mm	In.	mm	Gas	Water In.	Dim C		
											Nat	LP		In.	mm
225	225	66	185	54	159	47	22 1/8	562	6	152	.75	.75	1.50	6	152
300	300	88	246	72	212	62	22 1/8	562	6	152	.75	.75	1.50	6	152
400	399	117	327	96	282	83	28 5/8	727	6	152	.75	.75	1.50	6	152
600	600	176	492	144	424	124	35 1/8	892	7	178	1	1	2.50	8	203
750	750	220	615	180	530	155	41 5/8	1057	8	203	1	1	2.50	8	203
1050	1050	308	861	252	742	217	58 3/8	1483	10	254	1.25	1.25	2.50	10	254
1200	1200	352	984	288	848	249	71 3/8	1813	12	305	1.25	1.25	2.50	12	305
1480	1479	433	1213	355	1045	306	71 3/8	1813	12	305	1.50	1.50	2.50	12	305
1650	1643	481	1347	395	1161	340	77 7/8	1978	14*	356*	1.50	1.50	2.50	12	305
1970	1971	577	1616	474	1393	408	97 3/8	2473	14*	356*	1.50	1.50	2.50	12	305
2300	2300	674	1886	553	1626	476	103 7/8	2638	14*	356*	2	2	2.50	12	305

NOTES
* 14" oval to round transition piece.

SHIPPING WEIGHTS											
Model	225	300	400	600	750	1050	1200	1480	1650	1970	2300
lbs	180	180	285	440	535	685	865	865	875	1100	1155
kgs	82	82	129	200	243	311	393	393	397	499	524



HOURLY RECOVERY CAPACITY ΔT (GPH & LPH)												
Model	40° F	22° C	60° F	33° C	80° F	44° C	100° F	56° C	120° F	67° C	140° F	78° C
225	554	2096	369	1397	277	1048	221	838	185	699	158	599
300	738	2795	492	1863	369	1397	295	1118	246	932	211	799
400	982	3717	655	2478	491	1859	393	1487	327	1239	281	1062
600	1477	5590	984	3726	738	2795	591	2236	492	1863	422	1597
750	1846	6987	1230	4658	923	3493	738	2795	615	2329	527	1996
1050	2584	9782	1723	6521	1292	4891	1034	3913	861	3261	738	2795
1200	2953	11179	1969	7453	1477	5590	1181	4472	984	3726	844	3194
1480	3639	13774	2426	9182	1819	6887	1455	5509	1213	4591	1040	3935
1650	4043	15304	2695	10203	2021	7652	1617	6122	1348	5101	1155	4373
1970	4851	18365	3234	12243	2426	9182	1941	7346	1617	6122	1386	5247
2300	5660	21426	3773	14284	2830	10713	2264	8570	1887	7142	1617	6122

TEMPERATURE RISE/PRESSURE DROP																				
Temperature Rise Across Heat Exchanger																				
Model	15° F		8.3° C		20° F		11.1° C		25° F		13.9° C		30° F		16.7° C		35° F		19.4° C	
	Flow Rate GPM	Pres. Drop Ft.	Flow Rate l/s	Pres. Drop kPa	Flow Rate GPM	Pres. Drop Ft.	Flow Rate l/s	Pres. Drop kPa	Flow Rate GPM	Pres. Drop Ft.	Flow Rate l/s	Pres. Drop kPa	Flow Rate GPM	Pres. Drop Ft.	Flow Rate l/s	Pres. Drop kPa	Flow Rate GPM	Pres. Drop Ft.	Flow Rate l/s	Pres. Drop kPa
225	24.6	0.18	1.6	0.5	-	-	-	-	-	-	-	-	-	-	-	-	-	-	-	-
300	32.8	0.31	2.1	0.9	24.6	0.18	1.6	0.5	-	-	-	-	-	-	-	-	-	-	-	-
400	43.7	0.70	2.8	2.1	32.8	0.41	2.1	1.2	26.2	0.27	1.7	0.8	-	-	-	-	-	-	-	-
600	65.6	1.84	4.1	5.4	49.2	1.08	3.1	3.2	39.4	0.71	2.5	2.1	32.8	0.51	2.1	1.5	28.1	0.38	1.8	1.1
750	82.0	3.32	5.2	9.8	61.5	1.95	3.9	5.7	49.2	1.29	3.1	3.8	41.0	0.92	2.6	2.7	35.1	0.69	2.2	2.0
1050	-	-	-	-	86.1	5.16	5.4	15.2	68.9	3.41	4.3	10.1	57.4	2.44	3.6	7.2	49.2	1.83	3.1	5.4
1200	-	-	-	-	98.4*	8.14	6.2	24.0	78.7	5.38	5.0	15.9	65.6	3.84	4.1	11.3	56.2	2.89	3.5	8.5
1480	-	-	-	-	121.4*	7.94	7.7	23.4	97.1	5.25	6.1	15.5	80.9	3.75	5.1	11.0	69.3	2.82	4.4	8.3
1650	-	-	-	-	-	-	-	-	108.2	7.02	6.8	20.7	90.2	5.01	5.7	14.8	77.3	3.77	4.9	11.1
1970	-	-	-	-	-	-	-	-	-	-	-	-	107.7	8.75	6.8	25.8	92.3	6.58	5.8	19.4
2300	-	-	-	-	-	-	-	-	-	-	-	-	125.7*	12.45	7.9	36.7	107.8	9.36	6.8	27.6

*Flow exceeds recommended maximum use a greater temperature rise or consult manufacturer. Cupro-Nickel heat exchanger should be considered.



7555 Tranmere Drive, Mississauga, Ontario L5S 1L4
Tel. (905) 670-5888 Fax (905) 670-5782

260 North Elm Street, Westfield, MA 01085
Tel. (413) 568-9571 Fax (413) 568-9613

A MESTEK COMPANY www.rbiwaterheaters.com



In the interest of product improvement, RBI reserves the right to make changes without notice.